



# OMG-OCSMP-MBI300<sup>Q&As</sup>

OMG-Certified Systems Modeling Professional - Model Builder –  
Intermediate

**Pass OMG OMG-OCSMP-MBI300 Exam with 100%  
Guarantee**

Free Download Real Questions & Answers **PDF** and **VCE** file from:

<https://www.geekcert.com/omg-ocsmp-mbi300.html>

100% Passing Guarantee  
100% Money Back Assurance

Following Questions and Answers are all new published by OMG  
Official Exam Center

-  **Instant Download** After Purchase
-  **100% Money Back** Guarantee
-  **365 Days** Free Update
-  **800,000+** Satisfied Customers





### QUESTION 1

Choose the correct answer What is a control operator?

- A. it is an activity that can output control tokens via a parameter node.
- B. It is the general term for any element of an activity that can handle control tokens.
- C. It is a special kind of activity node that can be used to control the flow of tokens into an activity.
- D. It is an activity node that allows a modeler to specify the use of mathematical operators such as plus minus, multiply, or divide.

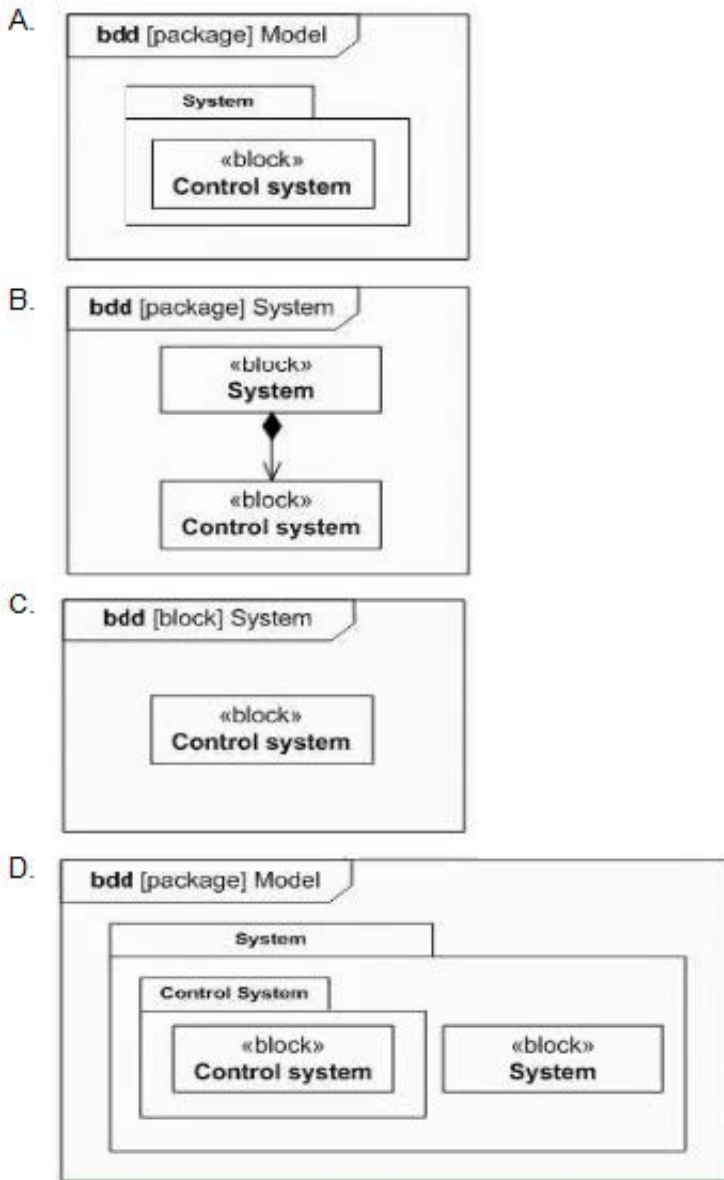
Correct Answer: B

---

### QUESTION 2

Choose the correct answer.

Which diagram shows that the control system block is in the namespace of the system block?



A. Option A

B. Option B

C. Option C

D. Option D

Correct Answer: D

### QUESTION 3

Choose the correct answer



Annex C of the SysML specification describes optional stereotypes that are useful for modeling requirements.

Which stereotype are all the other stereotypes based upon, and which properties does it add to a requirement?

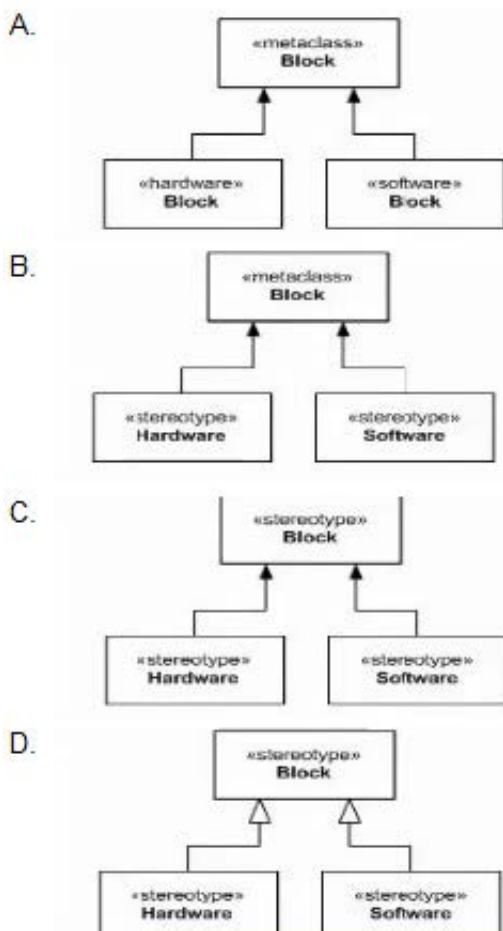
- A. «designConstraint», which adds a mandatory constraintProperty
- B. «emanagedRequirement», which adds properties for owner and changeAuthority
- C. «extendedRequirement», which adds properties for source, risk, and verifyMethod
- D. «performanceRequirement». which adds properties for performanceMeasure and performance MeasureKind
- E. «synched Requirement», which adds properties for lastSynch. version, and corresponding ID in the requirements management tool

Correct Answer: D

#### QUESTION 4

Choose the correct answer.

Which package diagram fragment depicts the definitions of the stereotypes Hardware and Software?





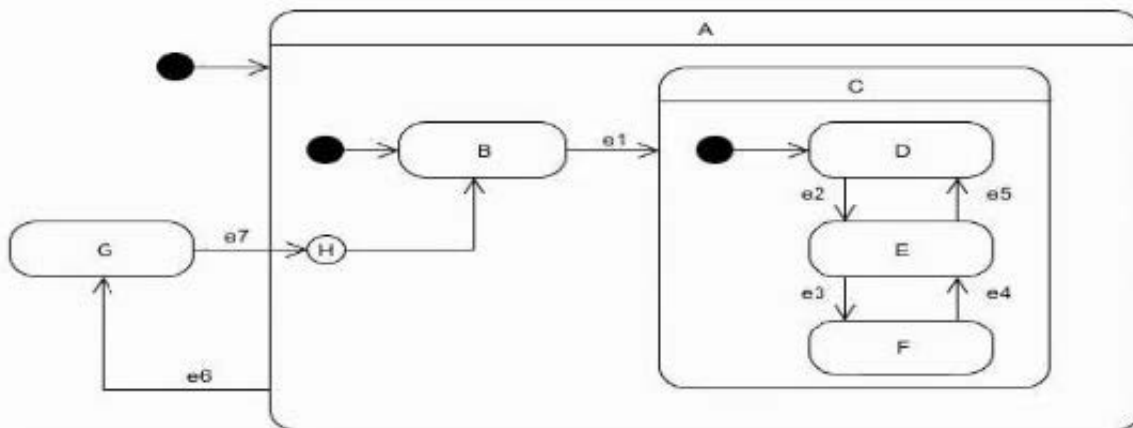
- A. Option A
- B. Option B
- C. Option C
- D. Option D

Correct Answer: B

### QUESTION 5

Choose the correct answer.

Given the following state machine, and assuming that it starts from initialization:



Which option is the shortest sequence of events that will cause the machine to be in state E?

- A. e1, e2, e6, e7
- B. e1, e2, e6, e7, e1
- C. e1, e2, e6, e7, e2
- D. e1, e2, e3, e6, e7, e2
- E. e1, e2, e3, e3, e6, e7, e1, e2

Correct Answer: B

[Latest OMG-OCSMP-MBI300 Dumps](#)

[OMG-OCSMP-MBI300 VCE Dumps](#)

[OMG-OCSMP-MBI300 Braindumps](#)