



OMG-OCSMP-MBI300^{Q&As}

OMG-Certified Systems Modeling Professional - Model Builder –
Intermediate

**Pass OMG OMG-OCSMP-MBI300 Exam with 100%
Guarantee**

Free Download Real Questions & Answers **PDF** and **VCE** file from:

<https://www.geekcert.com/omg-ocsmp-mbi300.html>

100% Passing Guarantee
100% Money Back Assurance

Following Questions and Answers are all new published by OMG
Official Exam Center

-  **Instant Download** After Purchase
-  **100% Money Back** Guarantee
-  **365 Days** Free Update
-  **800,000+** Satisfied Customers





QUESTION 1

Choose the correct answer.

Given the following diagram fragment:



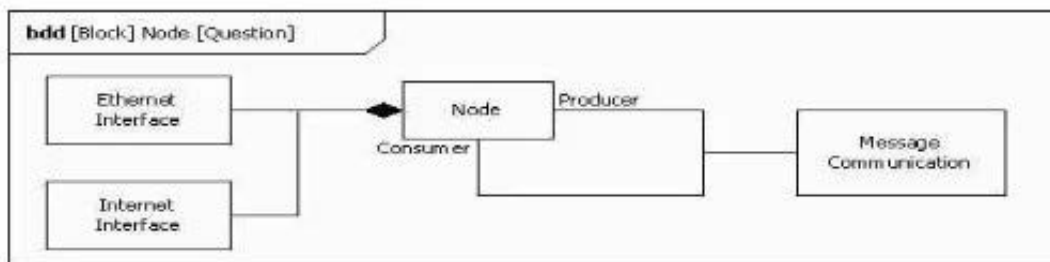
What does the multiplicity at the actor end mean?

- A. At most two Initiator actor instances can perform the use case
- B. Two Initiator actor instances are required to trigger the use case
- C. Two Initiator actor instances are required to participate in the use case.
- D. Multiplicities carry no meaning on use case diagrams

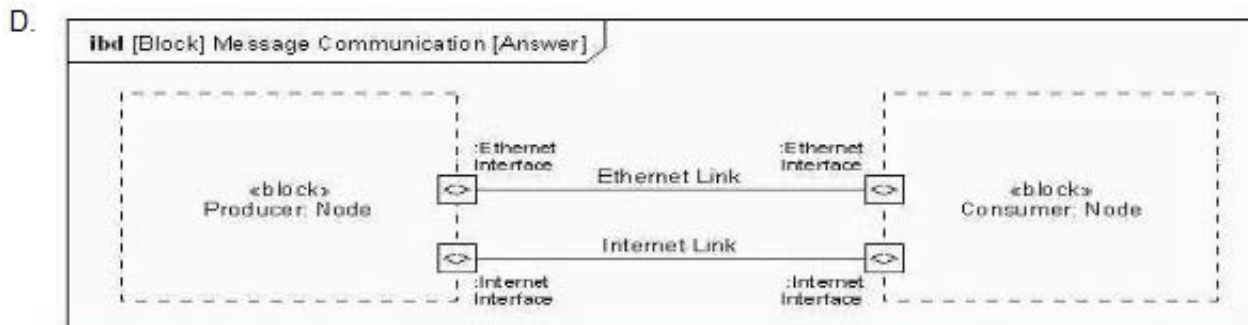
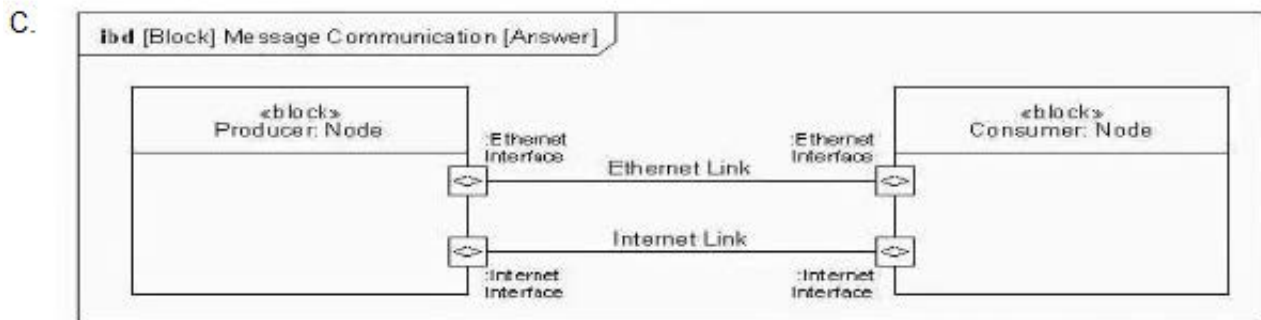
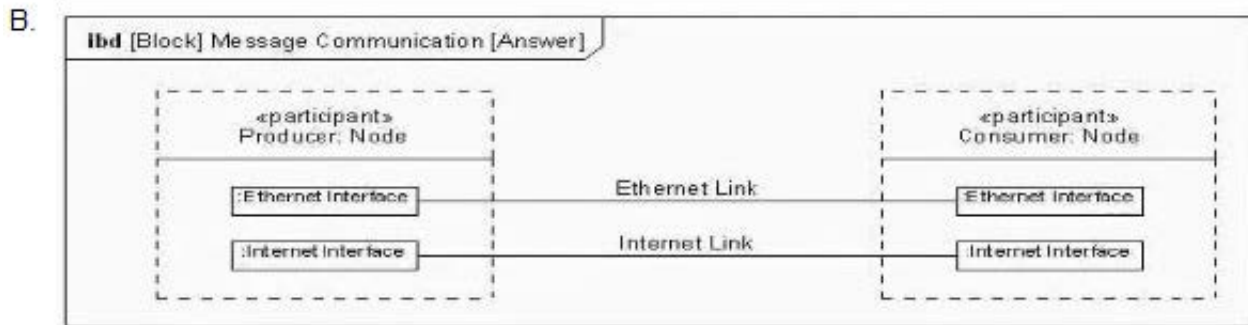
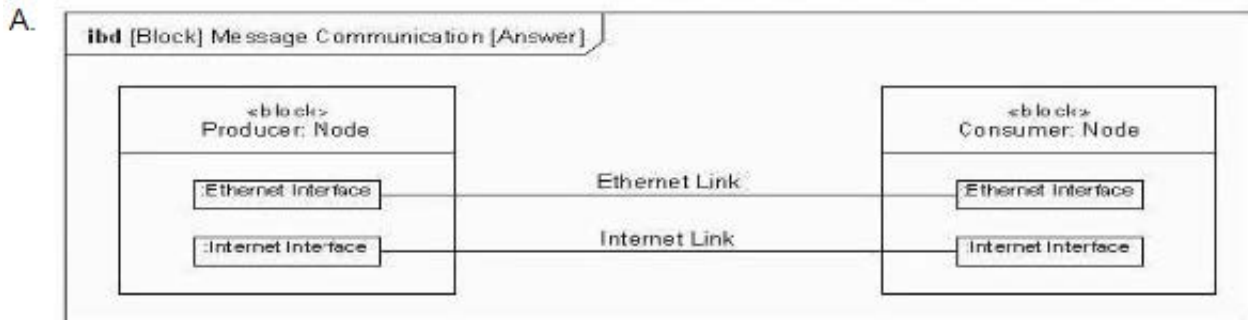
Correct Answer: C

QUESTION 2

Choose the correct answer. Given the following bdd:



Which lbd corresponds?



A. Option A

B. Option B

C. Option C

D. Option D

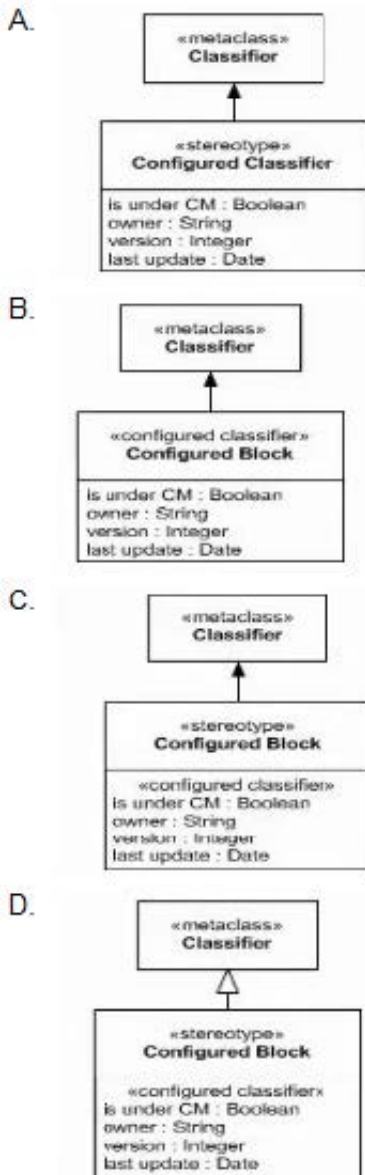
Correct Answer: C



QUESTION 3

Choose the correct answer

Which diagram fragment validly depicts adding properties to a stereotype?



A. Option A

B. Option B

C. Option C

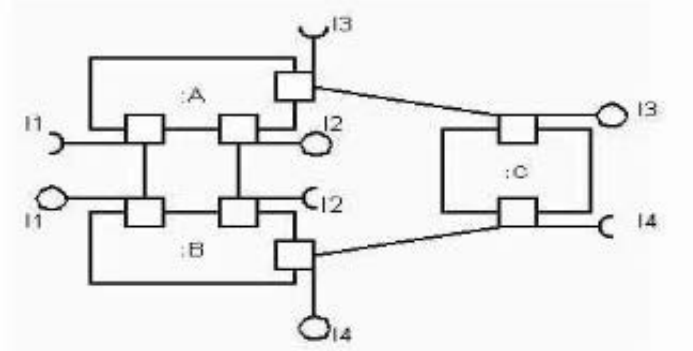
D. Option D

Correct Answer: D

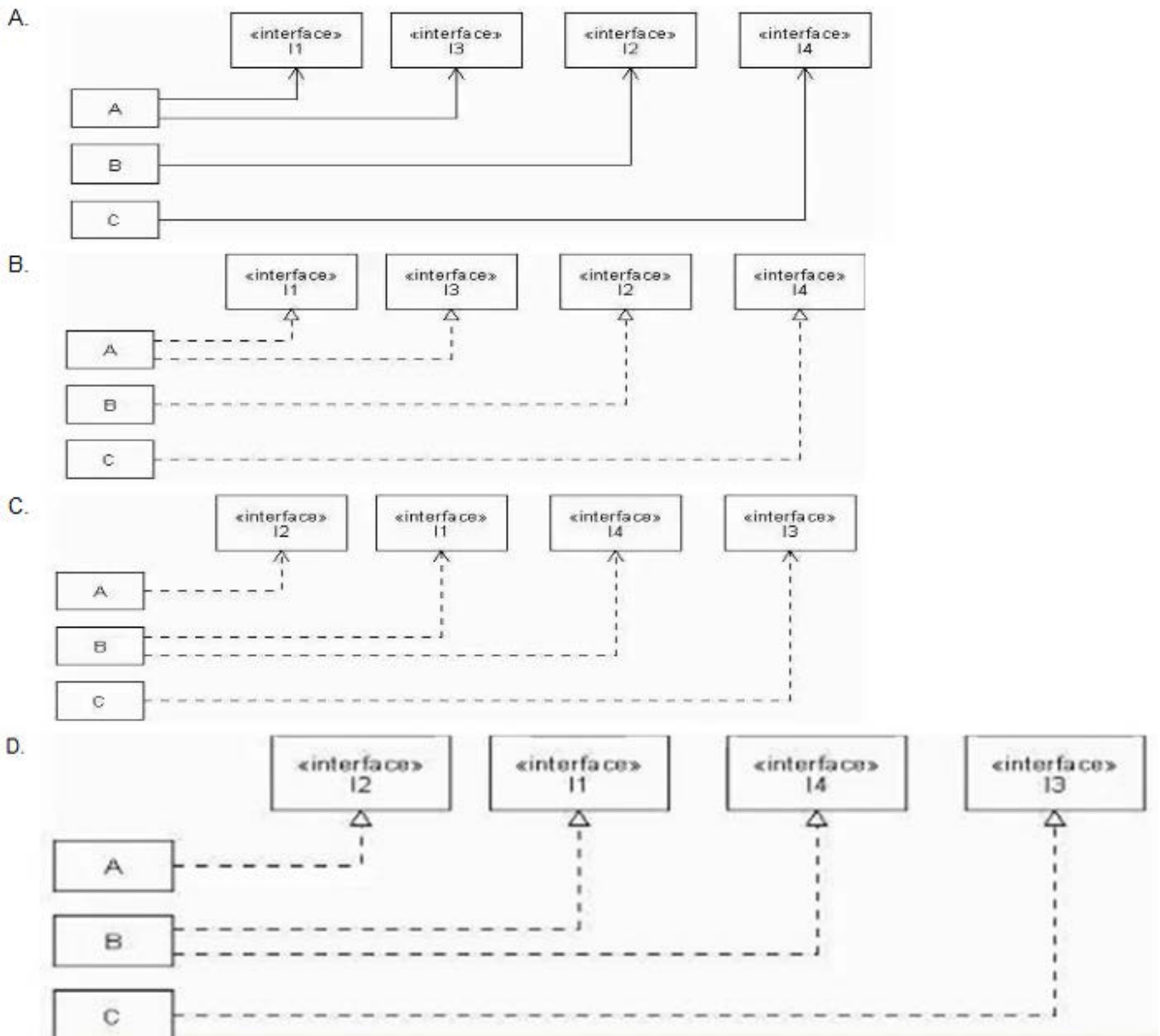


QUESTION 4

Choose the correct answer. Given the following ibd fragment:



Select the bdd fragment that corresponds



A. Option A

B. Option B

C. Option C

D. Option D

Correct Answer: A

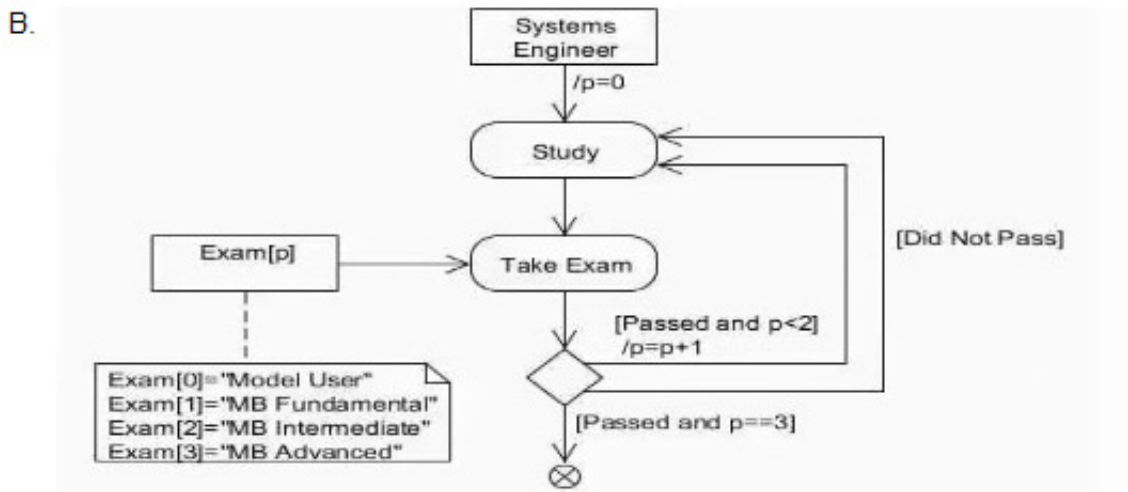
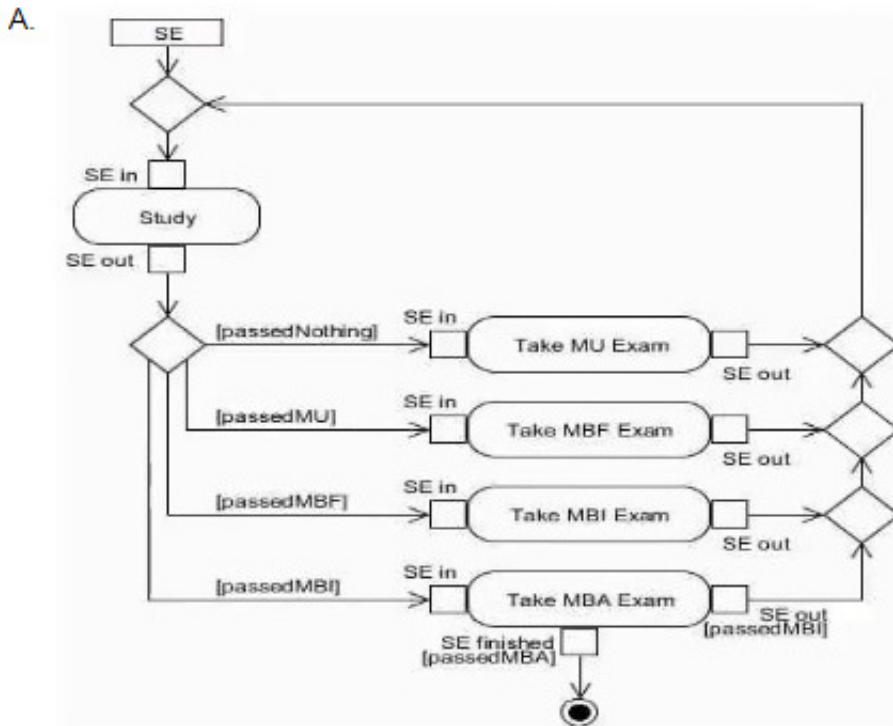
QUESTION 5

Choose the correct answer.



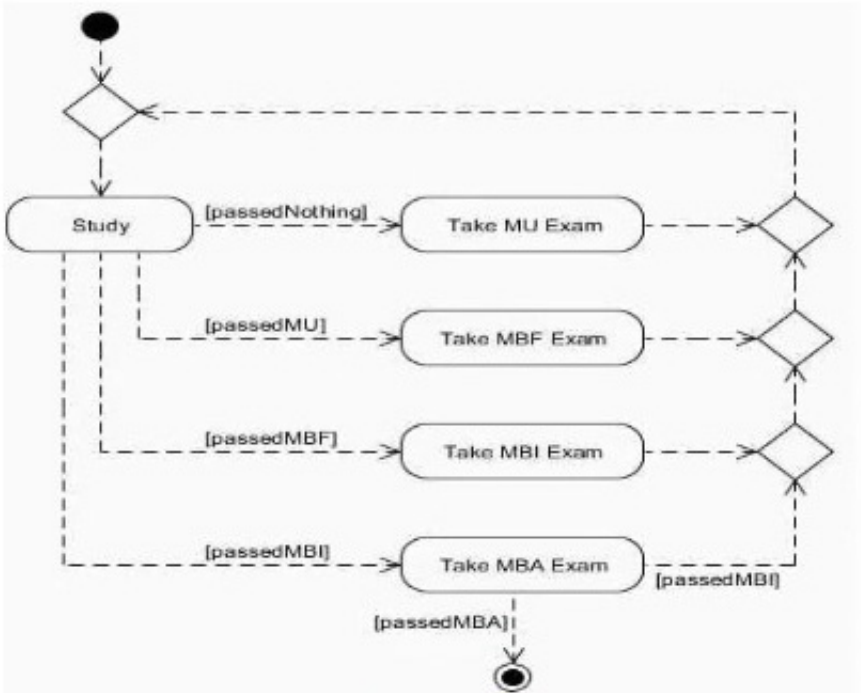
To "show what you know" about SysML a Systems Engineer (SE) must take a total of four examinations in order Model User (MU). Model Bulkier Fundamental (MBF), Model Builder intermediate (MBI) and Model Builder Advanced (MBA). The SE must also study before taking each exam.

Which activity diagram fragment correctly uses object state constraints to document the process of studying and taking the exams, ensuring that the exams are taken in order of increasing difficulty, and allowing for the possibility that exams may have to be repeated?

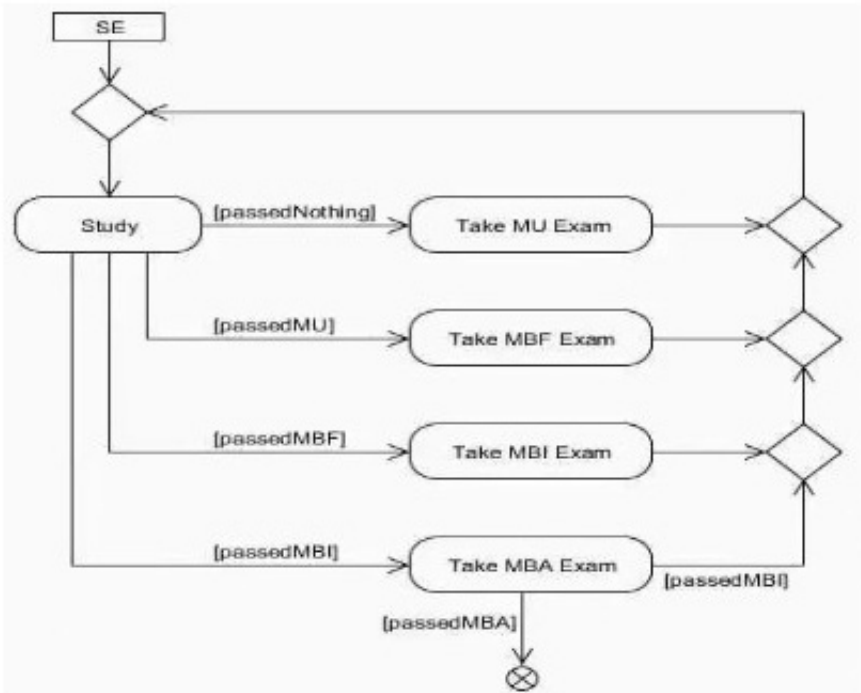




C.



D.



A. Option A

B. Option B

C. Option C

D. Option D

Correct Answer: B



VCE & PDF

GeekCert.com

<https://www.geekcert.com/omg-ocsmp-mbi300.html>

2024 Latest geekcert OMG-OCSMP-MBI300 PDF and VCE dumps Download

[OMG-OCSMP-MBI300
Practice Test](#)

[OMG-OCSMP-MBI300
Study Guide](#)

[OMG-OCSMP-MBI300
Exam Questions](#)