



OMG-OCSMP-MBI300^{Q&As}

OMG-Certified Systems Modeling Professional - Model Builder –
Intermediate

**Pass OMG OMG-OCSMP-MBI300 Exam with 100%
Guarantee**

Free Download Real Questions & Answers **PDF** and **VCE** file from:

<https://www.geekcert.com/omg-ocsmp-mbi300.html>

100% Passing Guarantee
100% Money Back Assurance

Following Questions and Answers are all new published by OMG
Official Exam Center

-  **Instant Download** After Purchase
-  **100% Money Back** Guarantee
-  **365 Days** Free Update
-  **800,000+** Satisfied Customers

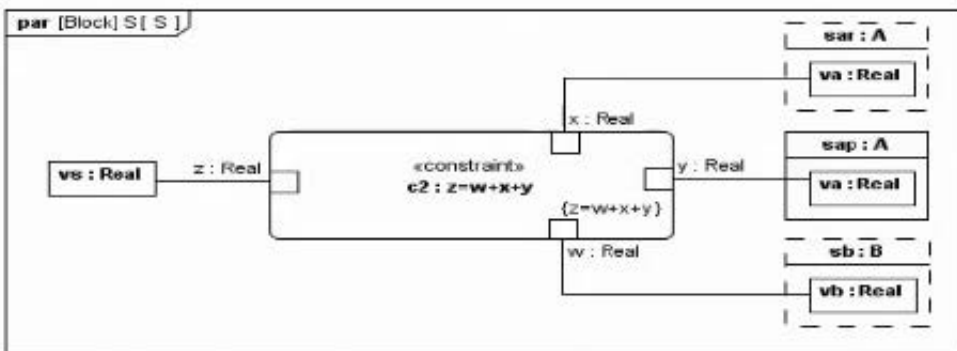
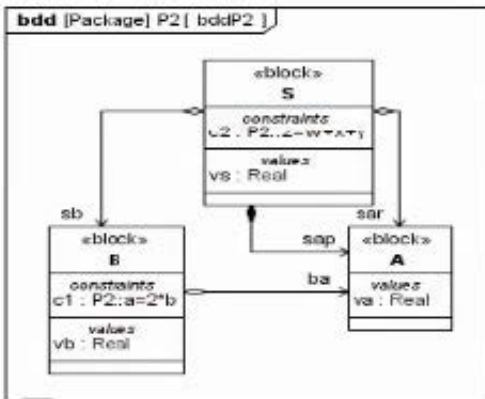




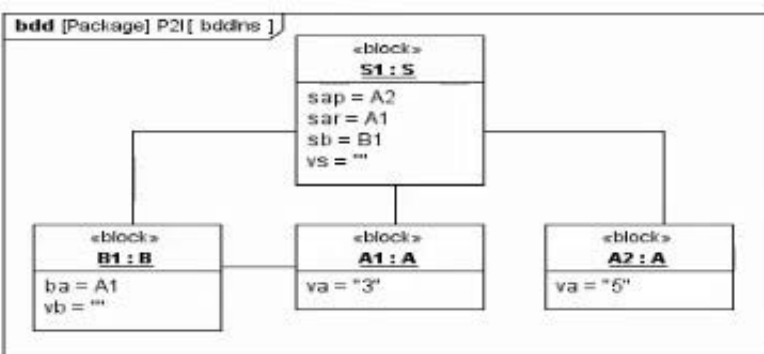
QUESTION 1

Choose the correct answer.

Given the following block structure model:



What is the value of S1.vs when the parametric models are executed for the following instance?



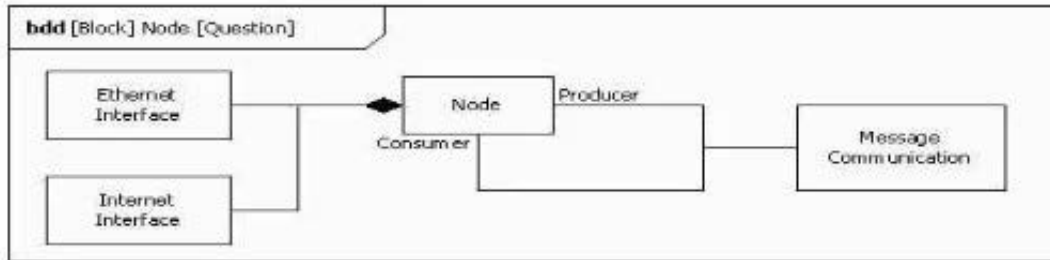
- A. 11
- B. 14
- C. 13
- D. There is no value - the instance model is invalid



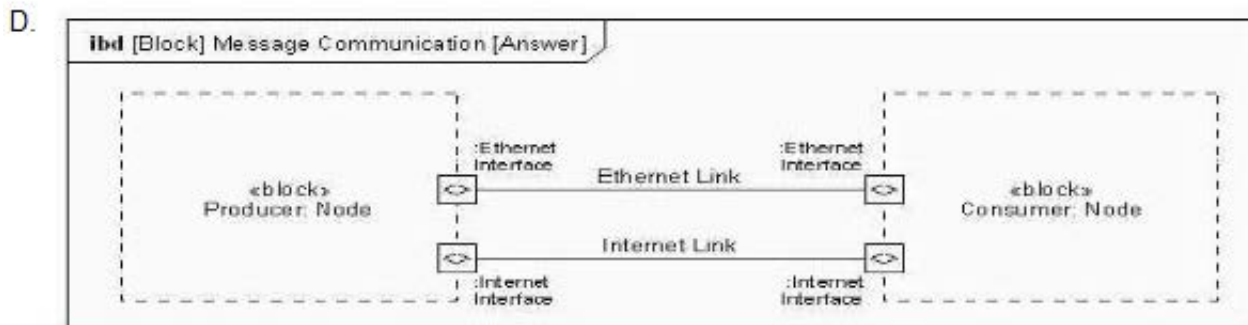
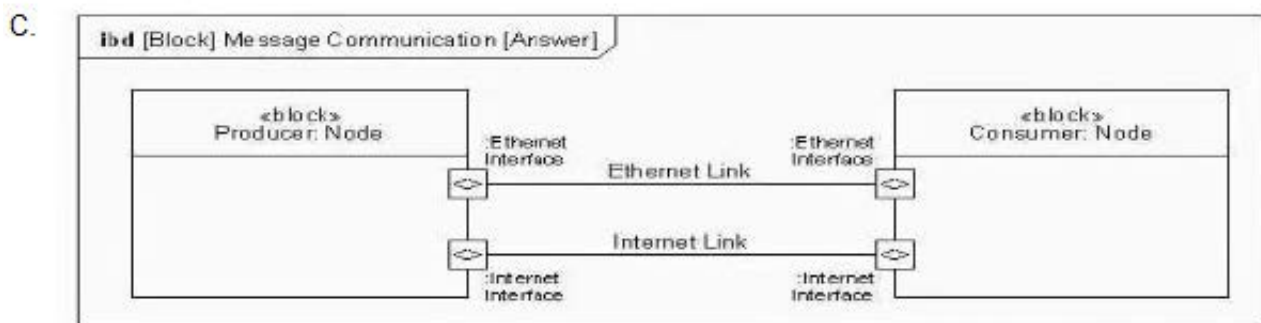
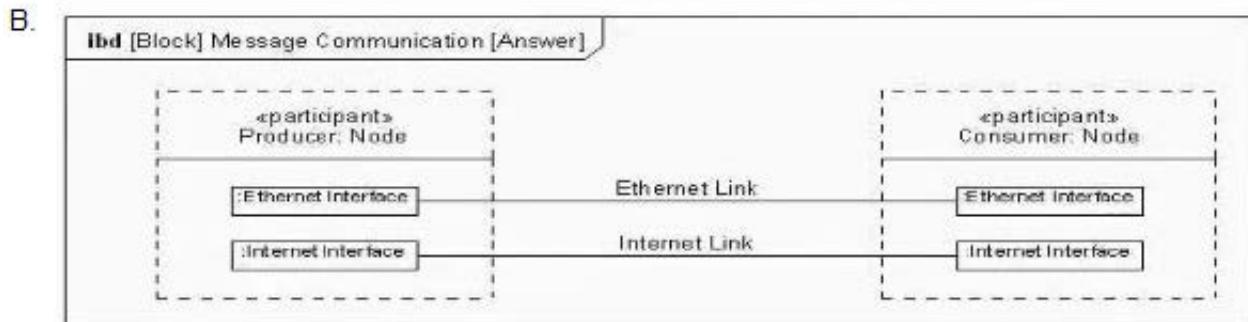
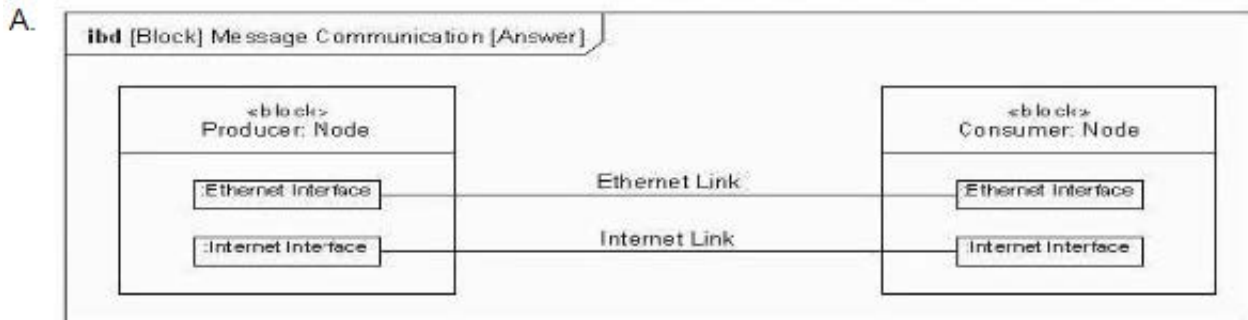
Correct Answer: B

QUESTION 2

Choose the correct answer. Given the following bdd:



Which lbd corresponds?



A. Option A

B. Option B

C. Option C

D. Option D

Correct Answer: C



QUESTION 3

Choose the correct answer

What is a best practice to define the package structure for a SysML model?

- A. SysML defines the package structure
- B. The modeling tool creates the package structure
- C. The modeling methodology defines the package structure.
- D. Each modeler can create packages for that engineer's specific purpose

Correct Answer: C

QUESTION 4

Choose the correct answer

Annex C of the SysML specification describes optional stereotypes that are useful for modeling requirements.

Which stereotype are all the other stereotypes based upon, and which properties does it add to a requirement?

- A. «designConstraint», which adds a mandatory constraintProperty
- B. «emanagedRequirement», which adds properties for owner and changeAuthority
- C. «extendedRequirement», which adds properties for source, risk, and verifyMethod
- D. «performanceRequirement». which adds properties for performanceMeasure and performance MeasureKind
- E. «synched Requirement», which adds properties for lastSynch. version, and corresponding ID in the requirements management tool

Correct Answer: D

QUESTION 5

Choose the correct answer.

What are streaming parameters?

- A. parameters that are mapped to flow ports
- B. parameters in which tokens are never buffered
- C. parameters through which a continuous stream of tokens pass
- D. parameters through which an activity can accept or produce tokens throughout its execution



Correct Answer: B

[Latest OMG-OCSMP-MBI300 Dumps](#)

[OMG-OCSMP-MBI300 Practice Test](#)

[OMG-OCSMP-MBI300 Braindumps](#)