



# AACE-PSP<sup>Q&As</sup>

Planning & Scheduling Professional (PSP)

## Pass AACE International AACE-PSP Exam with 100% Guarantee

Free Download Real Questions & Answers **PDF** and **VCE** file from:

<https://www.geekcert.com/aace-psp.html>

100% Passing Guarantee  
100% Money Back Assurance

Following Questions and Answers are all new published by AACE International Official Exam Center

-  **Instant Download** After Purchase
-  **100% Money Back** Guarantee
-  **365 Days** Free Update
-  **800,000+** Satisfied Customers





#### QUESTION 1

If after calculating a schedule an activity exhibits negative total float, which of the following is certain? The activity

- A. Is a milestone.
- B. It is on the critical path.
- C. Was completed in the past.
- D. Has yet to be completed.

Correct Answer: D

---

#### QUESTION 2

Determine the driving activity for Activity 10001.

- A. Activity 11001.
- B. Activity 10002.
- C. Activity 9005.
- D. There is no driving activity for Activity 10001 in the backward pass.

Correct Answer: B

---

#### QUESTION 3

In analyzing a logical chain of activities in a critical path method (CPM) schedule, what do differing total float values within that chain typically indicate?

- A. The schedule has too much detail to reflect an accurate critical path.
- B. Different calendars are assigned to certain activities in the logical chain.
- C. The schedule is projecting an "early completion".
- D. Certain activities in the critical path have no successors.

Correct Answer: D

---

#### QUESTION 4

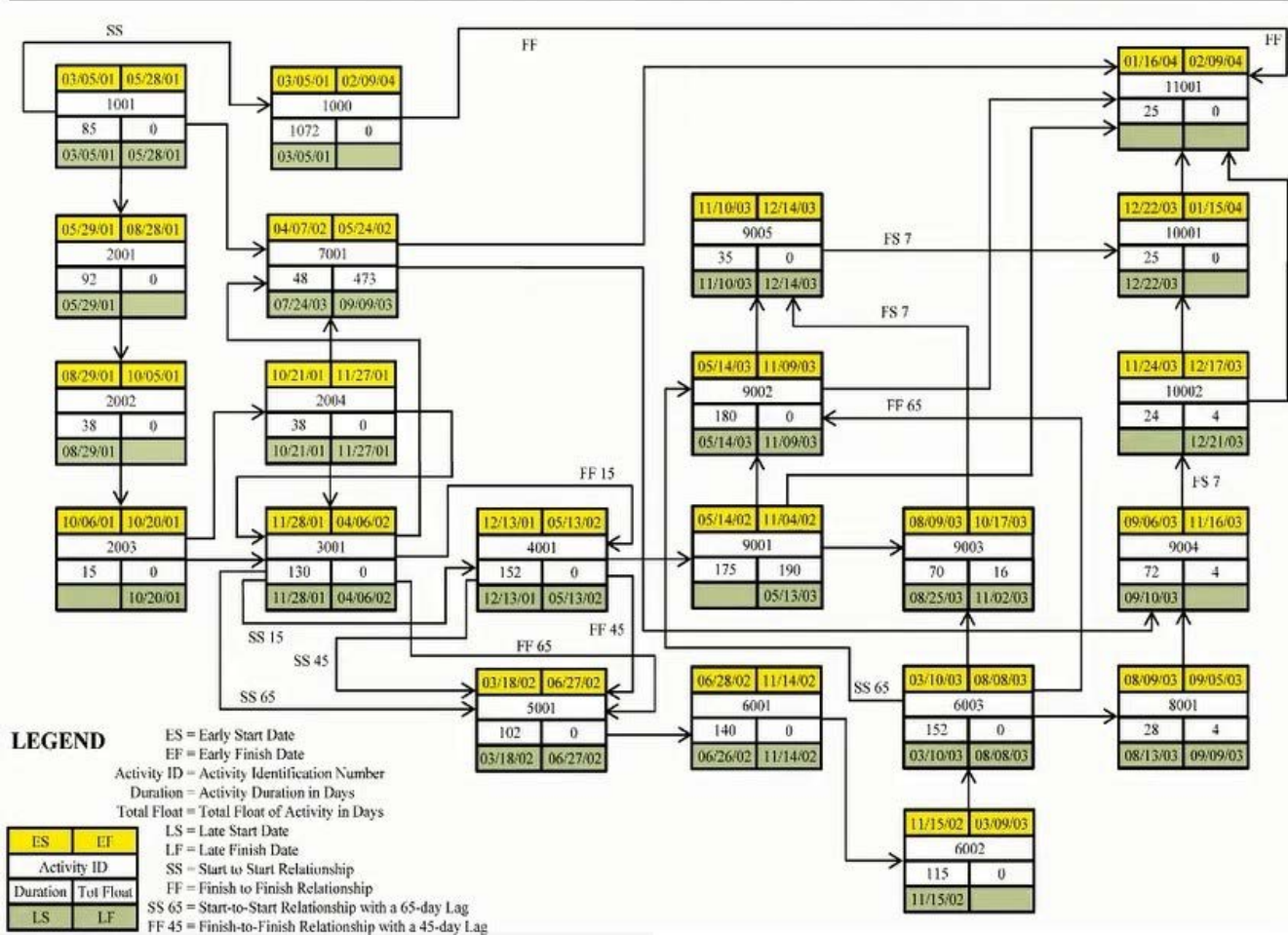
Scenario:

The entire network consists of the following activities and relationships. Activity A is twenty days long and is tied to Activity B, a ten-day activity, with a finish-to-finish tie with a lag value of five Activity B is tied to Activity C, a twenty-day



activity, with a start-to-start relationship with a lag value of five.

**PRACTICUM – ROCK FILLED DAM PRECEDENCE DIAGRAM**



PSP Activities Table Scope Known about Rock-Filled Dam Project: The dam requires river diversion and work over two or more rainy seasons. The contract is lump sum, competitively bid, and will be self-performed. The owner has attempted to shift all risk to the contractor by employing "no differing sit

conditions" and "no damage for delay" clauses. There is a bonus/penalty provision of \$2,500 per calendar day for early or late delivery. The early completion bonus is capped at \$500,000, with no cap for late delivery penalty.

Liquidated damages end at the finish of demobilization. Indirect costs per calendar day are \$2,800 for the "normal" schedule and \$3,200 for the "crashed" schedule. The winter/wet weather season is 151 days between October 15 and March 25 of each year, reduces the efficiency of the contractor's operations by 20% and costs the contractor \$10,000 per day. Assume a start date of March 5, 2001 and use a 7-day work week. The following table lists work activities as planned by the contractor. Theoretically construct a summary activity for only those activities with a finish-to-start relationship for Activities 8001 through 10001. Using the "normal" schedule, what is

the cost of this hammock?

- A. \$420,000.
- B. \$307,000.
- C. \$524,000.
- D. \$552,000.



Correct Answer: D

---

#### QUESTION 5

Which of the following phases does NOT describe the commonly accepted construction life cycle?

- A. Claims and disputes phase.
- B. Installation phase.
- C. Planning and design phase.
- D. Turnover and start-up phase.

Correct Answer: C

[Latest AACE-PSP Dumps](#)

[AACE-PSP Practice Test](#)

[AACE-PSP Study Guide](#)