



HPE0-S58^{Q&As}

Implementing HPE Composable Infrastructure Solutions

Pass HP HPE0-S58 Exam with 100% Guarantee

Free Download Real Questions & Answers **PDF** and **VCE** file from:

<https://www.geekcert.com/hpe0-s58.html>

100% Passing Guarantee
100% Money Back Assurance

Following Questions and Answers are all new published by HP Official Exam Center

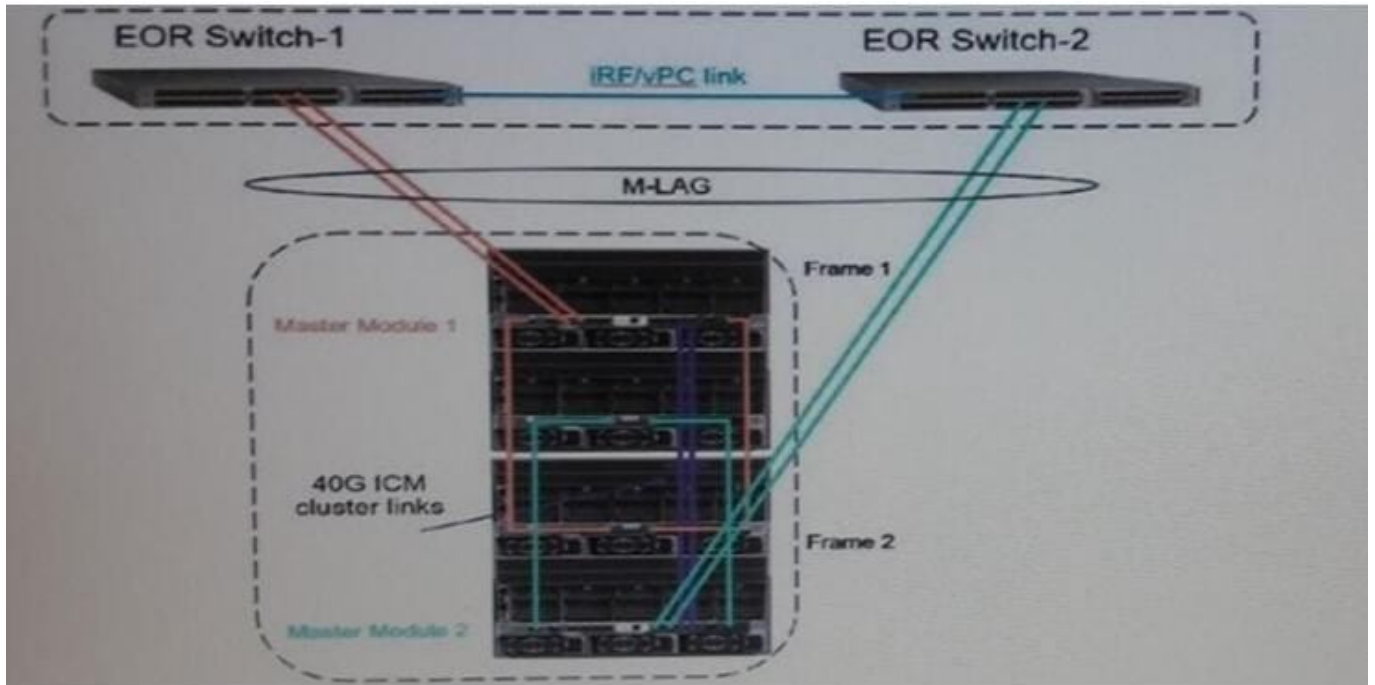
-  **Instant Download** After Purchase
-  **100% Money Back** Guarantee
-  **365 Days** Free Update
-  **800,000+** Satisfied Customers





QUESTION 1

Refer to the exhibit.



A customer with the design shown needs to perform an in-place upgrade to its environment to scale the two-frame single homed Multimodule Link Aggregation Group (MLAG) configuration to a three-frame configuration. The new frame needs to provide a redundant 20Gb connection for the compute module ports in Fabric 3.

Which interconnect modules should the integrator use in Frame 3?

- A. HPE Virtual Connect SE 40Gb F8 module in bay 3 and HPE Virtual Connect SE 40Gb F8 Module in bay 6
- B. HPE Synergy 10Gb Interconnect Link Module in bay 3 and HPE Synergy 10Gb Interconnect Link Module in bay 6
- C. HPE Synergy 20Gb Interconnect Link Module in bay 3 and HPE Synergy 20Gb Interconnect Link Module in bay 6
- D. HPE Synergy 20Gb Interconnect Link Module in bay 3 and HPE Synergy 10Gb Interconnect Link Module in bay 6

Correct Answer: B

QUESTION 2

A customer wants to implement HPE Global Dashboard for their environment based on HPE Synergy and HPE SimpliVity nodes. What must an integrator be aware of when deploying HPE Global Dashboard for this customer?

- A. HPE Global Dashboard agent must be installed on HPE SimpliVity nodes
- B. The Single Sign-On feature is not supported for HPE SimpliVity nodes
- C. HPE SimpliVity nodes must be licensed within HPE Global Dashboard



D. Only HPE SimpliVity 380 is supported because of the OmniStack hardware card

Correct Answer: B

QUESTION 3

DRAG DROP

Match each interconnect device with its appropriate use case.

Select and Place:

Device		Use Case
HPE Synergy 10 Gb Pass-Thru Module	<input type="text"/>	composable fabric component providing servers administrators to map it to any available network
HPE Synergy 10 Gb F8 Switch Module	<input type="text"/>	composable fabric component where all network functions to be managed by network administrators
HPE Virtual Connect SE 40 Gb F8 Module for HPE Synergy Mellanox	<input type="text"/>	delivers high-performance, high-speed, low latency 25/50 GbE connectivity
SH2200 Switch Module for HPE Synergy	<input type="text"/>	non-blocking, one-to-one connection between each Synergy compute module and the network

Correct Answer:

Device		Use Case
HPE Virtual Connect SE 40 Gb F8 Module for HPE Synergy Mellanox		composable fabric component providing servers administrators to map it to any available network
SH2200 Switch Module for HPE Synergy		composable fabric component where all network functions to be managed by network administrators
HPE Synergy 10 Gb Pass-Thru Module		delivers high-performance, high-speed, low latency 25/50 GbE connectivity
HPE Synergy 10 Gb F8 Switch Module		non-blocking, one-to-one connection between each Synergy compute module and the network

Reference: https://support.hpe.com/hpsc/doc/public/display?docId=emr_na-c05385134
<https://h20195.www2.hpe.com/v2/GetPDF.aspx/c04815127.pdf>



QUESTION 4

HOTSPOT

A customer requires all automated Fibre Channel zones to have a prefix of "SYNERGY" in the automatically-generated zones. Click where the integrator should change the naming policy.

Hot Area:

OneView

GENERAL	SERVERS	HYPERVISORS	NETWORKING	STORAGE	FACILITIES	Settings
Dashboard	Server Profiles	Hypervisor Cluster Profiles	Networks	Volumes	Data Centers	Settings
Activity	Server Profile Templates	Hypervisor Profiles	Network Sets	Volume Templates	Racks	Users and Groups
Firmware Bundles	Enclosure Groups	Hypervisor Managers	Logical Interconnect Groups	Volume Sets	Power Delivery Devices	Hardware Setup
Reports	Logical Enclosures		Logical Interconnects	Storage Pools	Unmanaged Devices	OS Deployment
	Enclosures		Interconnects	Storage Systems		Servers
	Server Hardware		Logical Switch Groups	SANs		
	Server Hardware Types		Logical Switches	SAN Managers		
			Switches	Drive Enclosures		
			Fabric Managers	Logical JBODs		

Correct Answer:

OneView

GENERAL	SERVERS	HYPERVISORS	NETWORKING	STORAGE	FACILITIES	Settings
Dashboard	Server Profiles	Hypervisor Cluster Profiles	Networks	Volumes	Data Centers	Settings
Activity	Server Profile Templates	Hypervisor Profiles	Network Sets	Volume Templates	Racks	Users and Groups
Firmware Bundles	Enclosure Groups	Hypervisor Managers	Logical Interconnect Groups	Volume Sets	Power Delivery Devices	Hardware Setup
Reports	Logical Enclosures		Logical Interconnects	Storage Pools	Unmanaged Devices	OS Deployment
	Enclosures		Interconnects	Storage Systems		Servers
	Server Hardware		Logical Switch Groups	SANs		
	Server Hardware Types		Logical Switches	SAN Managers		
			Switches	Drive Enclosures		
			Fabric Managers	Logical JBODs		

QUESTION 5

A customer is planning to deploy OneView for vCenter Server to improve management procedures for growing virtualization environment. The customer is concerned about resources required by HPE OneView for vCenter Server. Which statement about deploying HPE OneView for vCenter Server is true?

- A. It is deployed as an application on the Windows Server machine with at least 48GB of memory.
- B. It is deployed as a part of the HPE Composer installation.
- C. It is deployed as a virtual machine on the supported hypervisor.
- D. It can only be deployed if HPE Global Dashboard is already installed.

Correct Answer: C



VCE & PDF

GeekCert.com

<https://www.geekcert.com/hpe0-s58.html>

2024 Latest geekcert HPE0-S58 PDF and VCE dumps Download

Reference: https://support.hpe.com/hpsc/doc/public/display?docId=a00047122en_us

[HPE0-S58 PDF Dumps](#)

[HPE0-S58 Practice Test](#)

[HPE0-S58 Exam Questions](#)